

Model Test of HSC Examination 2016 for All Board

Subject: Engineering Drawing 1st Paper

Sub Code :

1	8	0
---	---	---

Time : 3 hours

Full Marks : 60

[N. B.- All questions are of equal value]

Group A - Plane Geometry

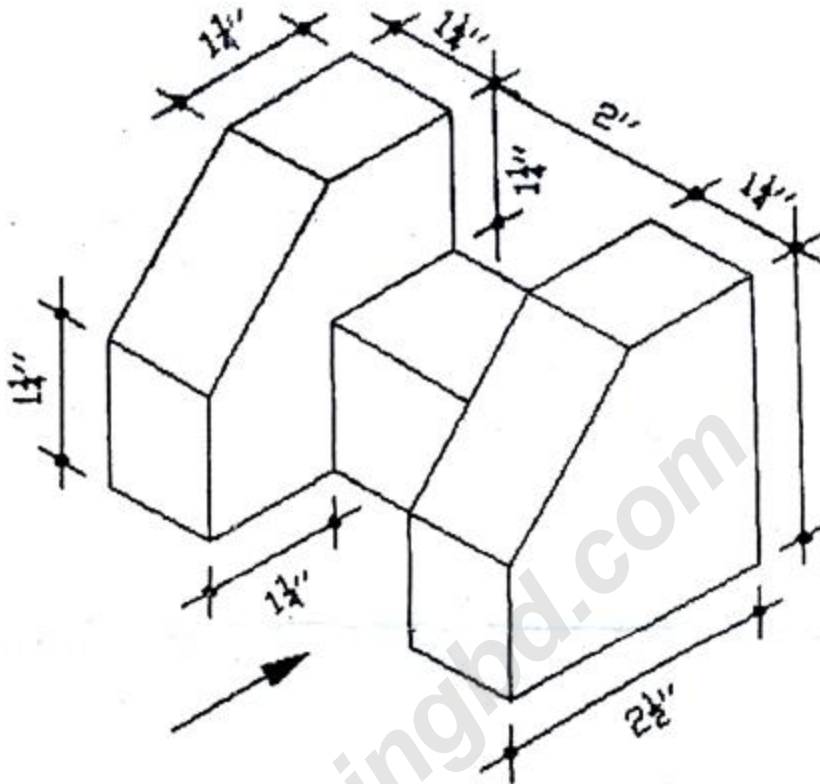
1. The base of a triangle, an angle adjacent to the base and difference of other two sides has given. Draw the triangle.
Or, Draw a diagonal scale convenient to taking the measurement of tenth $\left(\frac{1}{10}\right)$ and decimal $\left(\frac{1}{100}\right)$. Indicate 4.75 inches on the scale.
2. The center of two unequal circles is 100 mm. apart. Diameters of two circles are 75 mm. and 50 mm. respectively. Draw an external tangent to the circles.
Or, Draw a rectangle equaling in area to a given quadrilateral.

Group B - Solid Geometry

3. A circular lamina of 50 mm. diameter resting on its circumference on horizontal plane Vertically in such a way staying that, the lamina making at an angle of 45° with vertical Plane. Draw projection of the lamina.
Or, A cube of 30 mm. sides resting on its corner on horizontal plane in such a way staying that, its base making at an angle of 30° with horizontal plane and a solid diagonal of cube parallel to the vertical plane. Draw projection of the cube.
4. The length of every sides of base is 25 mm. of a hexagonal prism and crest is 65 mm. It is resting on edge on horizontal plane in such a manner that, its base making an angle of 30° . with horizontal plane and long sides are an angle of 40° with vertical plane. Draw projection of the prism.
Or, The diameter of base of a slant cone is 40 mm. and height is 60 mm. Develop the surface of the slant cone.

Group C - Technical Drawing

5. Draw top view, front view and left side view of the following block and write dimension on the views:



- Or, Draw sketch of the following threads:-
(a) Acme; (b) Buttress; (c) Square; (d) Knuckle.
6. Draw floor plan of a building showing two rooms one verandah and other components with the help of assumed logical measurements. [Scale 1"=4'-0"]
- Or, Draw top view and sectional front view of a single riveted (with two cover plate) butt joint (chain) showing six rivets. Thickness of the plate = 6mm. Pitch = 40mm. Pitch of row = 32mm. Diameter of the rivet = 12mm.